

NetVault®

Cloud-ready data protection for hybrid data centers

The success of your business depends on your ability to protect, access and leverage your mission-critical data on a daily basis — and to restore it quickly in the event of an unexpected outage. Yet many enterprises use data protection software that sacrifices functionality for simplicity, or scalability for versatility.

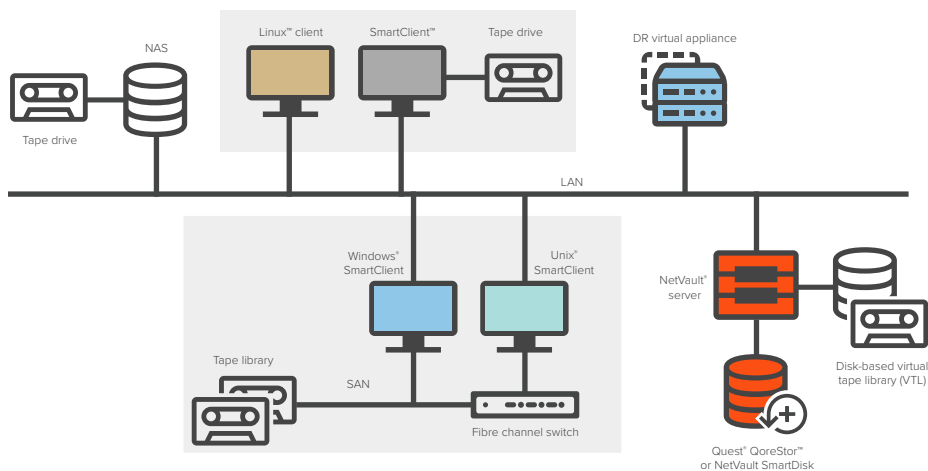
With Quest® NetVault®, high-growth organizations can benefit from enterprise-class, cross-platform data protection that's easy to use right out of the box and that scales easily to accommodate data growth.

With NetVault, you can protect a massive number of servers containing petabytes of data — from one web-based console. It supports multiple operating systems, applications, databases and storage devices. Such cross-platform versatility makes it easy for you to tailor NetVault to match the ever-changing and growing landscape of your IT infrastructure.

FEATURES

Physical and virtual support — Protect both physical and virtual servers (VMware, Hyper-V and Nutanix) with a single solution and gain consistent, reliable, point-and-click backup and restore. By running the VMware plug-in on any available proxy, you can back up all virtual machines with a single unified view that scales to thousands of VMs.

Enterprise-wide control — Configure, manage and monitor your backup and recovery operations from a web-based console. Convenient wizards guide you through common tasks, such as creating backup jobs, assigning policies, configuring storage devices and generating reports. Intuitive workflows and efficient navigation allow you to complete many workflows without traveling across multiple screens. Most operations can now be performed from a single screen.



NetVault offers enterprise-level data protection with ease of use and flexibility.

NetVault provides comprehensive data protection for hybrid IT environments from one intuitive console.

BENEFITS:

- Lower total cost of ownership and simplified administration using a single solution to manage complex, hybrid data centers
- Significant storage cost savings with client-side deduplication and the ability to use lower cost storage
- More granular recovery points and faster recovery time through hardware snapshots for improved application availability
- Greater IT productivity with an intuitive, web-based management console
- Faster system recovery through bare-metal recovery
- Faster backup through high-performance multistreaming
- Improved security and control of system administration through AD-based roles and privileges

SYSTEM REQUIREMENTS

SOFTWARE

Server platforms: Microsoft Windows Server 2012, 2016, 2019, Linux (RHEL 7.x, SLES 12 SP3) and other Windows and Linux platforms*

Client platforms: Windows (hybrid and pure 64-bit), most Linux platforms, Solaris (SPARC and x86/x86-64), HP-UX and MAC.

Application support: Office 365, Exchange, SQL, SharePoint, Oracle, DB2, MySQL, PostgreSQL, SAP, SAP HANA, MongoDB, Sybase, Teradata and more

Virtualization platforms: VMware, Hyper-V and Nutanix

Protected by U.S. Patents #7,814,260; 7,913,043; 7,979,650; 8,086,782; 8,145,864; 8,171,247; 8,255,654; 8,271,755; 8,311,985; 8,452,731. Protected by Japanese, E.U., French and U.K. patents 1615131 and 05250687.0, and German patent DE602004002858. Additional patents pending.

***Note:** Systems requirements and supported platforms are updated regularly. Visit the [NetVault support site](#) for the most current information.

Powerful catalog search — Conduct fast and granular searches for files and objects for both backup and restore. Fast-search capabilities provide access to metadata (name, mod date, type, etc.) for items backed up with NetVault. Save-sets with offline indexes can also be included in your search results.

Application protection — Ensure the protection and availability of all of your business-critical applications and data, including Office 365, Exchange, SQL, SharePoint, Oracle, MySQL, DB2, PostgreSQL, SAP, SAP HANA, MongoDB, Sybase and Teradata. No scripting is required to run hot backup and recovery jobs.

Office 365 protection — Back up and recover Exchange Online mailboxes, calendars, contacts and emails; OneDrive files and folders; SharePoint Online sites and sub-sites; Azure Active Directory users, groups and service principals; Full Teams deployments, including configuration and logic; and Calendars, including groups and events. [Learn more.](#)

Active Directory (AD) and Azure AD support — Log into NetVault using your AD single sign-on credentials. Role-based access control regulates what operations administrators can perform (per the AD privileges assigned). AD and LDAP enable “push install” capability for NetVault clients. This capability is a big plus in large environments with hundreds of clients that need upgrades or installs.

Application-aware storage array snapshots — Perform significantly faster and easier backups, with recovery time objectives (RTOs) and recovery point objectives (RPOs) for even the most demanding business needs.

Quest QoreStor™ integration — Get direct-to-storage backup with this software-defined storage and data deduplication solution with client-side deduplication and compression — delivering significant performance improvements and greater storage efficiency. NetVault also supports the EMC Data Domain backup and recovery platform, as well as its DD Boost technology for deduplication.

Extensive storage options — Back up to a wide range of storage targets, including disk arrays, tape libraries and third-party deduplication appliances. Get advanced data protection for information stored on NAS devices. Leverage Network Data Management Protocol (NDMP) to reduce traffic over your LAN and maximize performance.

High-performance multistreaming — Save time and ease management by backing up multiple workloads, such as network drives, local drives and mount points, simultaneously. Break down large, single-volume jobs into multiple streams for increased performance.

Strong security — Meet regulatory requirements without sacrificing backup windows or deduplication performance with an encryption plug-in for CAST-128, AES-256 or CAST-256 algorithm support. Flexible job-level encryption lets you easily select which data to encrypt.

FIPS Certification — Address government data security requirements with NetVault Crypto Module, which is certified for FIPS 140-2 Level 1.

Synthetic full backups — Save time and space by creating new baseline full backups synthetically from backup data already written to QoreStor.

Simple, straightforward licensing — License by component, all-inclusive capacity or annual subscription, giving you incredible flexibility. With component-based licensing, you pick and choose which modules you need.

MSP-ready — Provides multi-tenant architecture with both MSP “master” admin and MSP “customer” admin roles, along with special MSP licensing and pricing.

ABOUT QUEST

Quest provides software solutions for the rapidly-changing world of enterprise IT. We help simplify the challenges caused by data explosion, cloud expansion, hybrid datacenters, security threats and regulatory requirements. Our portfolio includes solutions for database management, data protection, unified endpoint management, identity and access management and Microsoft platform management.